

General information

Antenna covering the ISM band from 2400 to 2485 MHz. The antenna has U.FL (MHF) connector on cable and the antenna has a thread with a nut and washer for firm mounting on various material and thickness.

The Ex-It 2400 70 is a half wave antenna that gives good performance independent of ground plane.

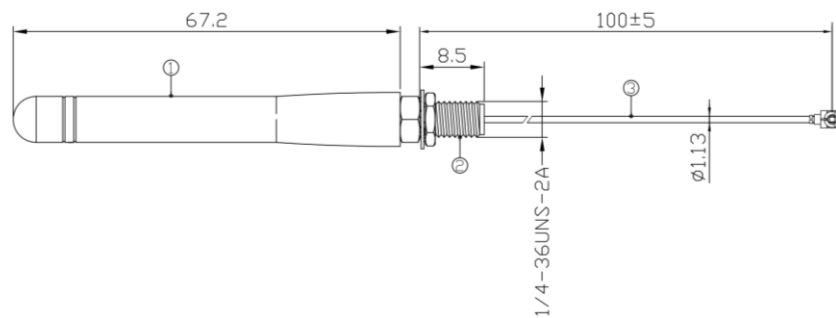


Technical data

Frequency	2400-2485 MHz
Return loss	< -9.5 dB
Gain	Max 3 dBi
Dimension	9.5 x 70 mm (excluding cable and thread)
Mounting	Through hole screw mounting.
Connection	100 mm cable with U.FL connector.
Temperature	-40 to +85 ⁰ C
Fire class	Non-flammable
RoHS status	Compliant with EU directive 2011/65/EU (RoHS 2)

Applications

M2M-communications
Telemetric
Automated Meter Reading
Alarms



Ordering information

Part number	Part name	Details
PRO-EX-327	Ex-it 2400 70	Antenna for 2400 MHz. 100 mm cable with U.FL (MHF) connector.

For information on sales, delivery terms and conditions and prices, please visit the Proant website (www.proant.se) for a complete list of distributors.

Proant offers consultation with design-in of the InSide antennas. Proant have all necessary capabilities for antenna design including anechoic chamber and prototype workshop. Please send your requests to info@proant.se.

Disclaimer

The information given in this application note shall in no event be regarded as a guarantee of conditions or characteristics. With respect to any examples or hints given herein, any typical values stated herein and/or any information regarding the application of the device, Proant AB hereby disclaims any and all warranties and liabilities of any kind, including without limitation, warranties of non-infringement of intellectual property rights of any third party.