

General information

Antenna covering the ISM band from 2400 to 2485 MHz.

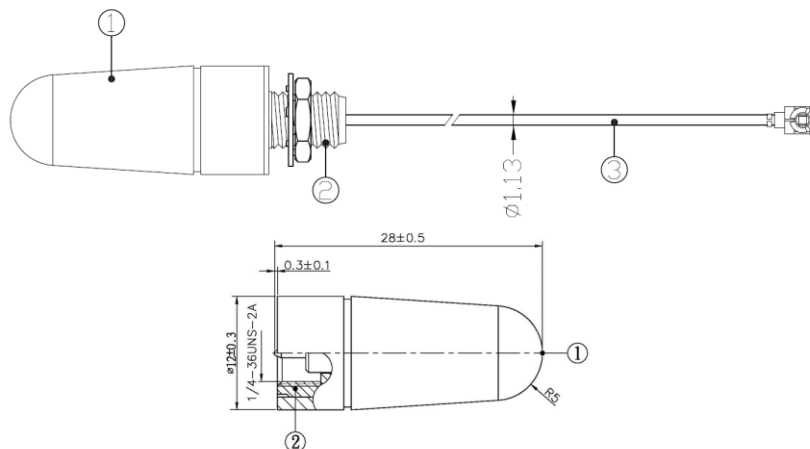


Technical data

Frequency	2400 - 2485 MHz
Return loss	< -6 dB
Gain	Max 3 dBi
Dimension	12 x 28 mm (protruding part)
Mounting	Variable
Connection	Variable
Temperature	-40 to +85° C
Fire class	Non-flammable
RoHS status	Compliant with EU directive 2011/65/EU (RoHS 2)

Applications

M2M-communications
Telemetric
Automated Meter Reading
Alarms



Ordering information

Part number	Part name	Details
PRO-EX-296	Ex-It 2400 28 U.FL-100	28 mm antenna for 2400 MHz with 100 mm cable and U.FL. (MHF) connector
PRO-EX-347	Ex-It 2400 28 SMA	28 mm antenna for 2400 MHz with SMA connector
PRO-EX-348	Ex-It 2400 28 RP-SMA	28 mm antenna for 2400 MHz with RP-SMA connector

For information on sales, delivery terms and conditions and prices, please visit the Proant website (www.proant.se) for a complete list of distributors.

Proant offers consultation with design-in of the InSide antennas. Proant have all necessary capabilities for antenna design including anechoic chamber and prototype workshop. Please send your requests to info@proant.se.

Disclaimer

The information given in this application note shall in no event be regarded as a guarantee of conditions or characteristics. With respect to any examples or hints given herein, any typical values stated herein and/or any information regarding the application of the device, Proant AB hereby disclaims any and all warranties and liabilities of any kind, including without limitation, warranties of non-infringement of intellectual property rights of any third party.