

General information

Antenna covering, 868 MHz, GSM 850/900 (824-960 MHz) and GSM 1800, 2100 (1710- 2170 MHz) when mounted on metal.

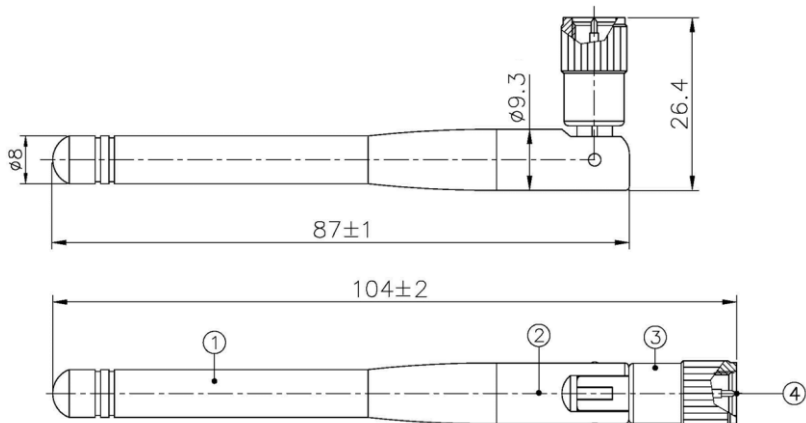


Technical data

Frequency	824-960/1710-1990/2110-2170 MHz
Return loss	< -4.5 dB
Gain	Max 3 dBi
Dimension	10 x 106 mm
Mounting	Connector mounting
Connection	Variable
Temperature	-40 to +85° C
Fire class	Non-flammable
RoHS status	Compliant with EU directive 2011/65/EU (RoHS 2)

Applications

M2M-communications
Telemetric
Automated Meter Reading
Alarms



Ordering information

Part number	Part name	Details
PRO-EX-321	Ex-IT GSM/3G Foldable	Antenna for cellular GSM and UMTS with SMA connector.

For information on sales, delivery terms and conditions and prices, please visit the Proant website (www.proant.se) for a complete list of distributors.

Proant offers consultation with design-in of the InSide antennas. Proant have all necessary capabilities for antenna design including anechoic chamber and prototype workshop. Please send your requests to info@proant.se.

Disclaimer

The information given in this application note shall in no event be regarded as a guarantee of conditions or characteristics. With respect to any examples or hints given herein, any typical values stated herein and/or any information regarding the application of the device, Proant AB hereby disclaims any and all warranties and liabilities of any kind, including without limitation, warranties of non-infringement of intellectual property rights of any third party.